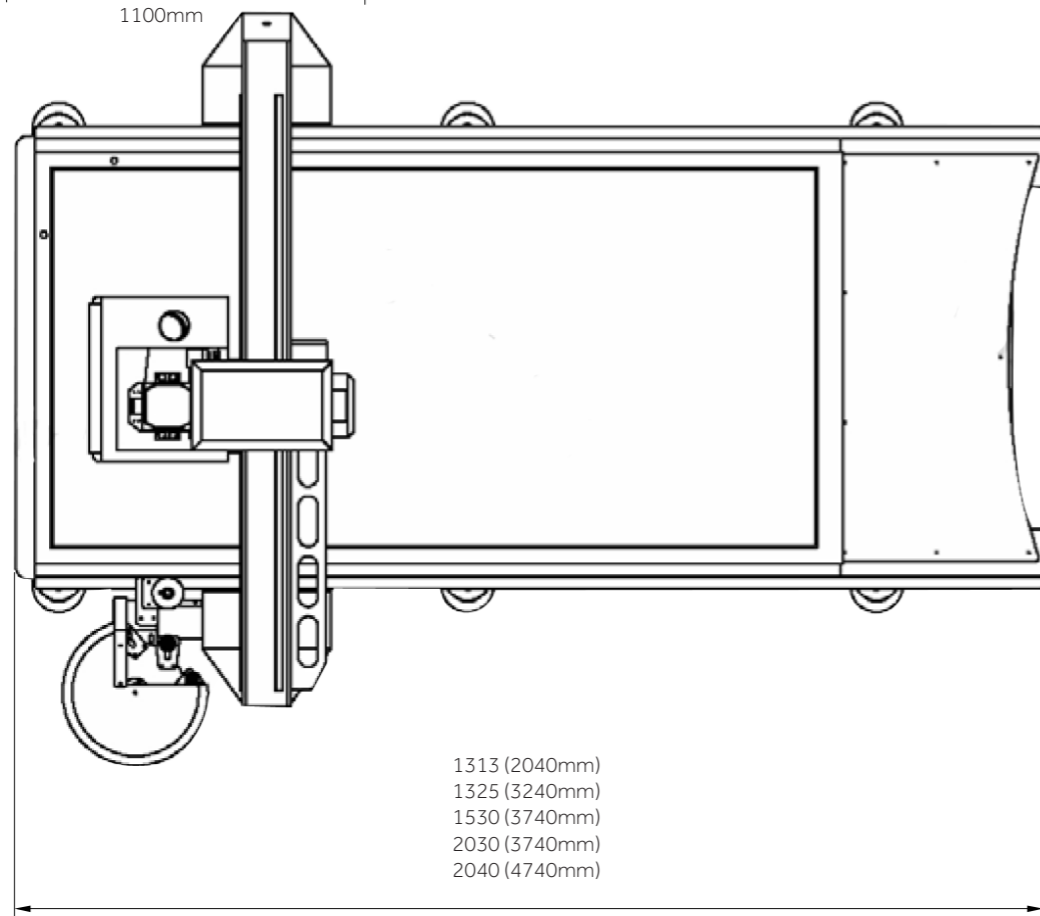
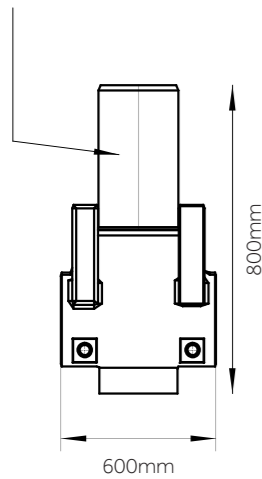
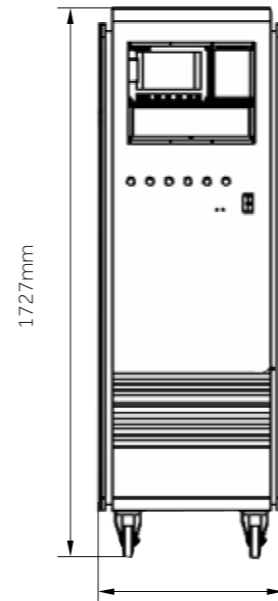


1100mm

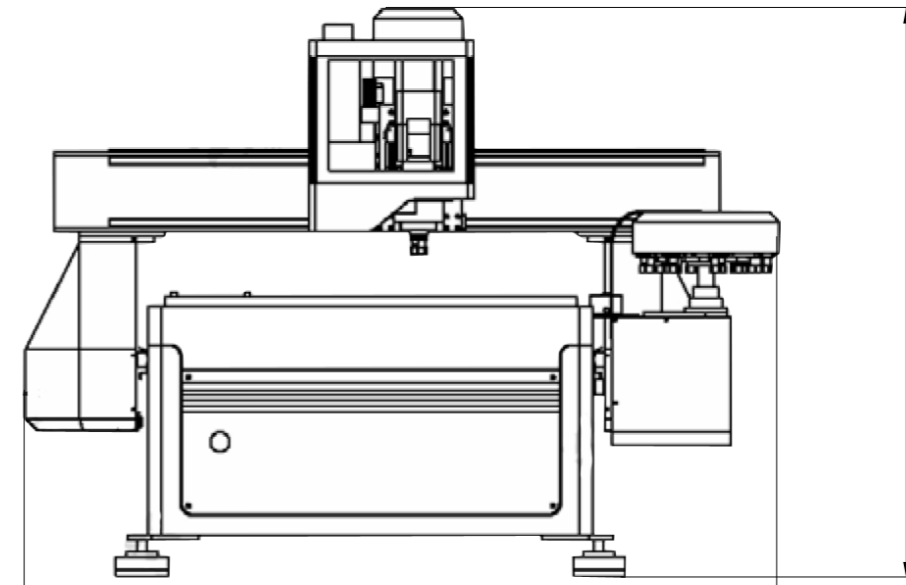
VACUUM PUMP



1313 (2040mm)  
1325 (3240mm)  
1530 (3740mm)  
2030 (3740mm)  
2040 (4740mm)

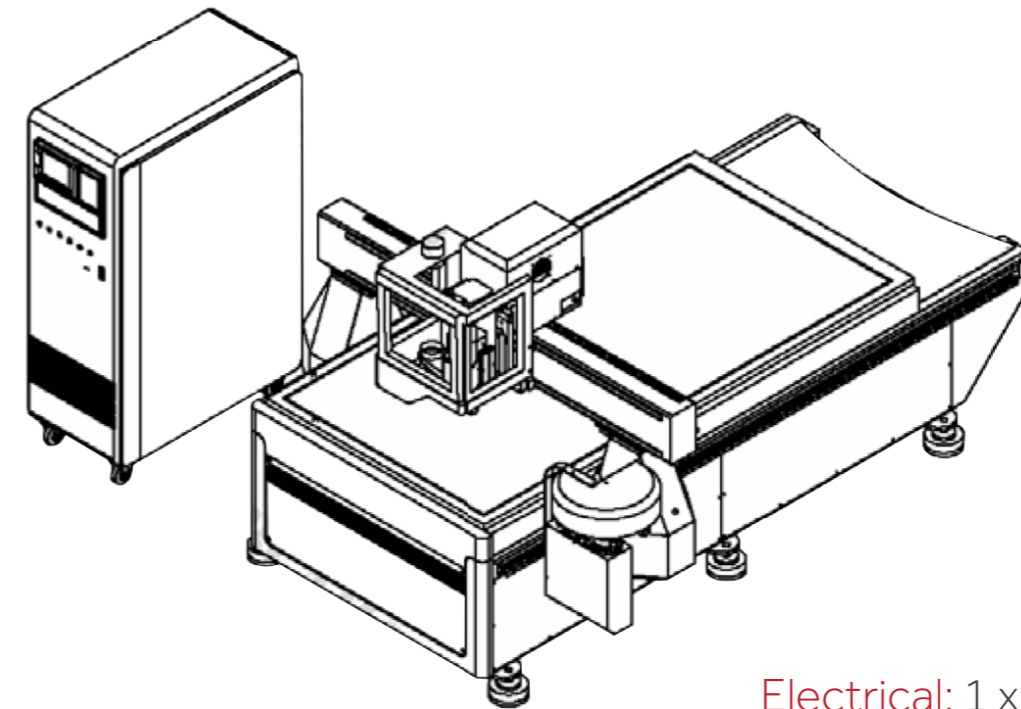


500mm



1790mm

1313 (2374mm)  
1325 (2374mm)  
1530 (2574mm)  
2030 (3074mm)  
2040 (3074mm)



Electrical: 1 x 32A 3- Phase socket  
Compressed Air: 7bar @ 8CFM  
Dust Inlet Ø: 100mm  
Units: mm