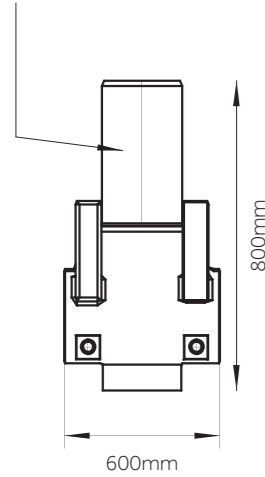


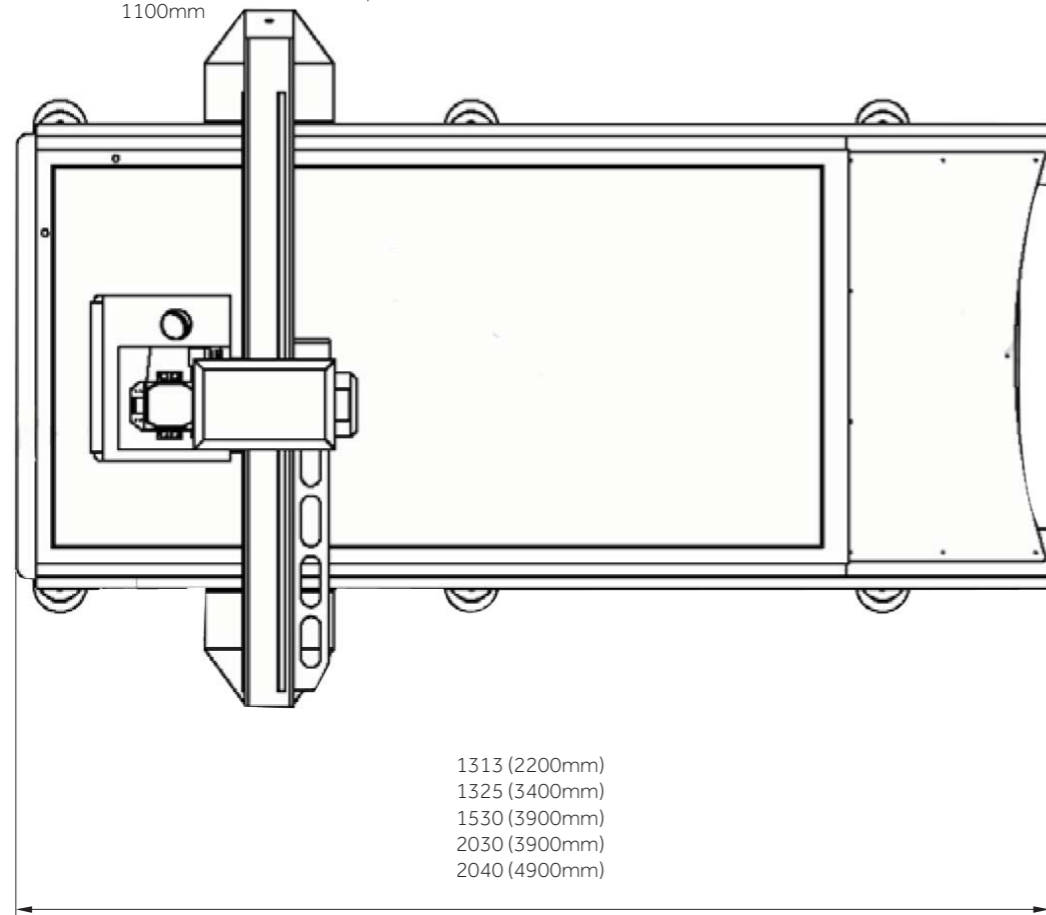
1100mm

VACUUM PUMP

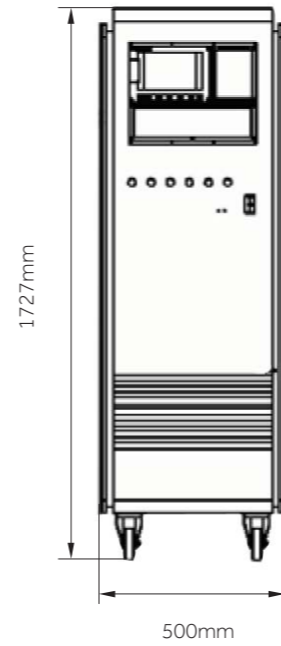


600mm

800mm

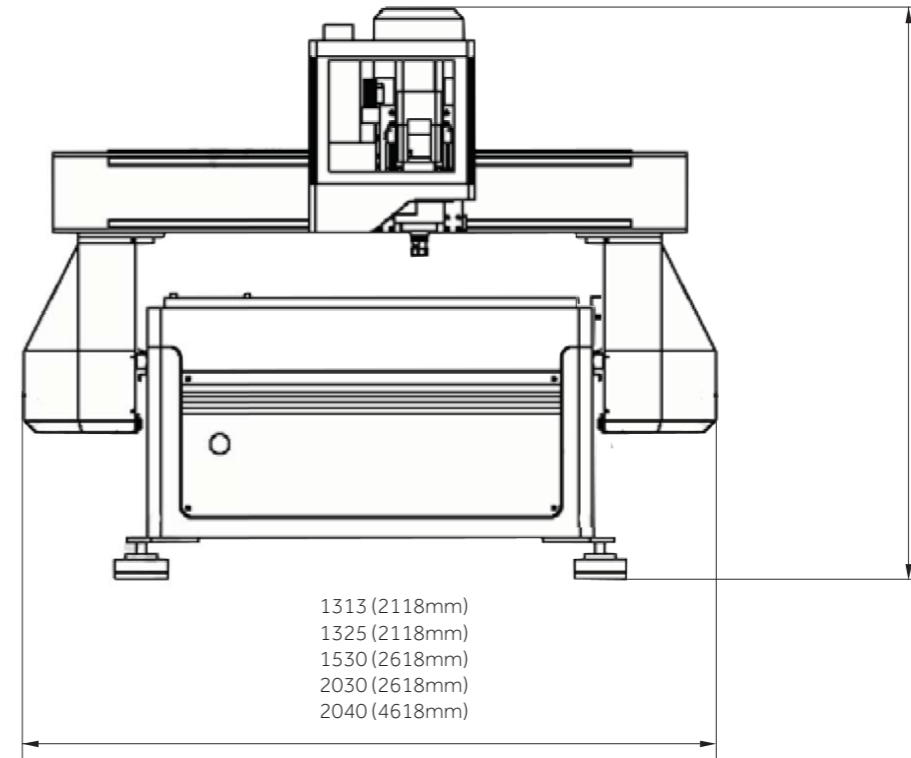


1313 (2200mm)  
1325 (3400mm)  
1530 (3900mm)  
2030 (3900mm)  
2040 (4900mm)



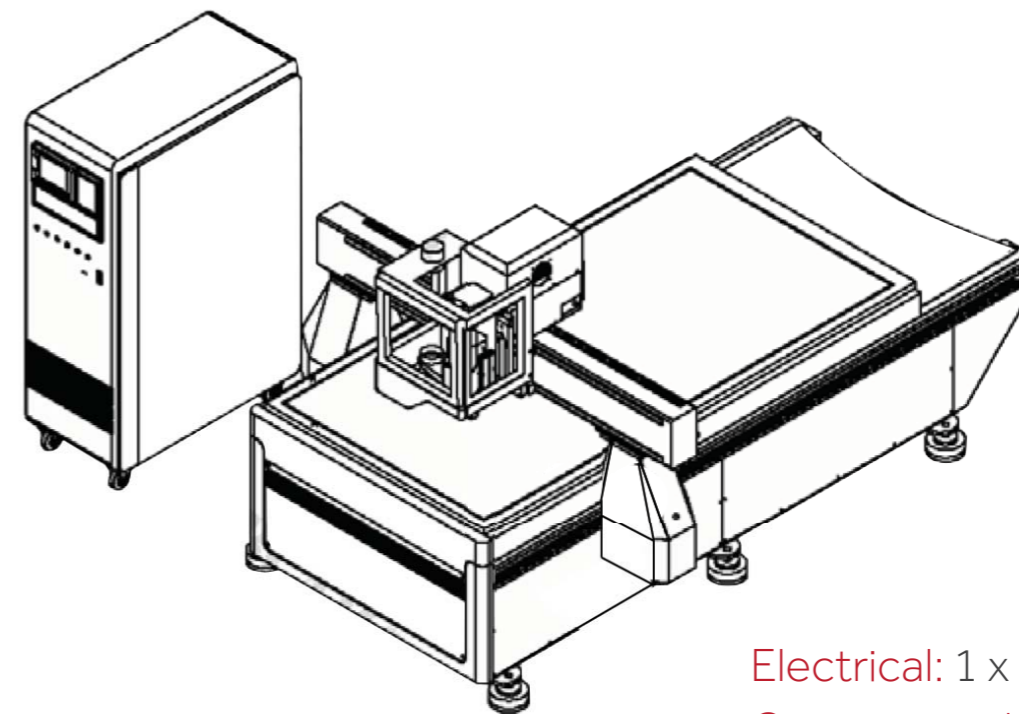
1727mm

500mm



1790mm

1313 (2118mm)  
1325 (2118mm)  
1530 (2618mm)  
2030 (2618mm)  
2040 (4618mm)



Electrical: 1 x 32A 3- Phase socket  
Compressed Air: 7bar @ 8CFM  
Dust Inlet Ø: 100mm  
Units: mm