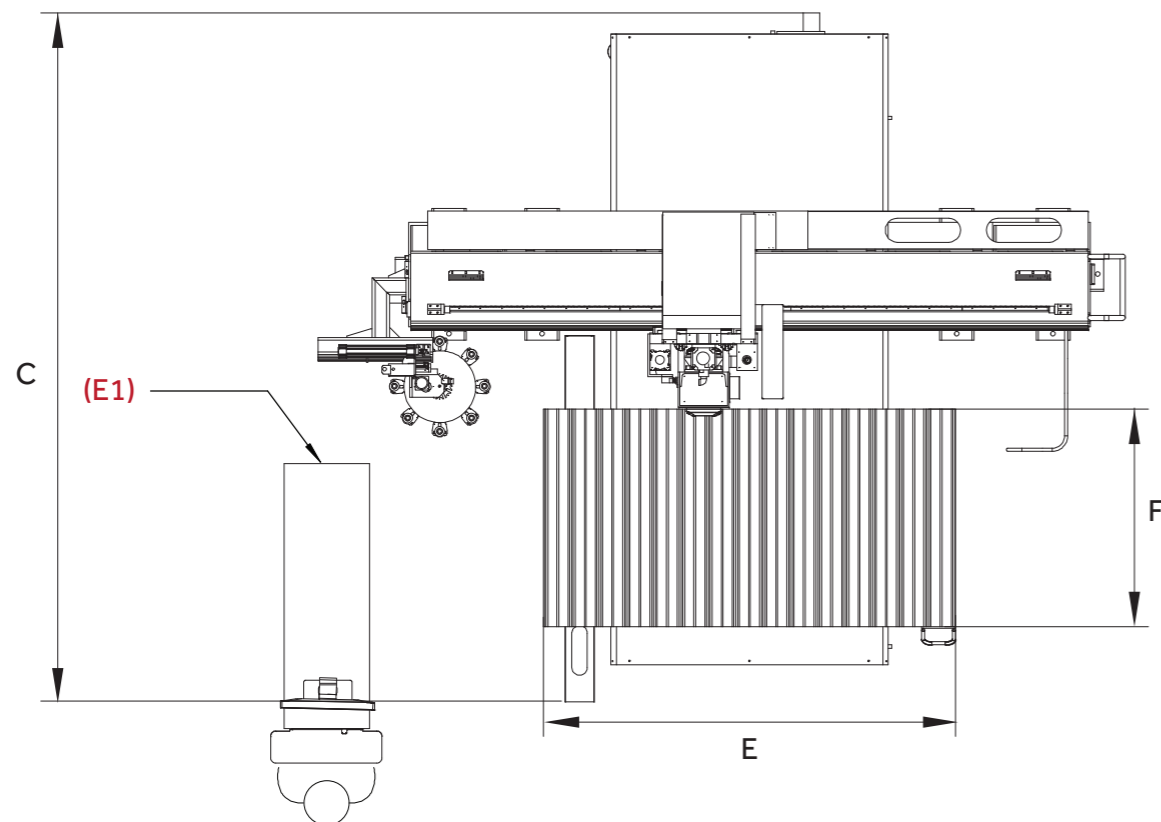
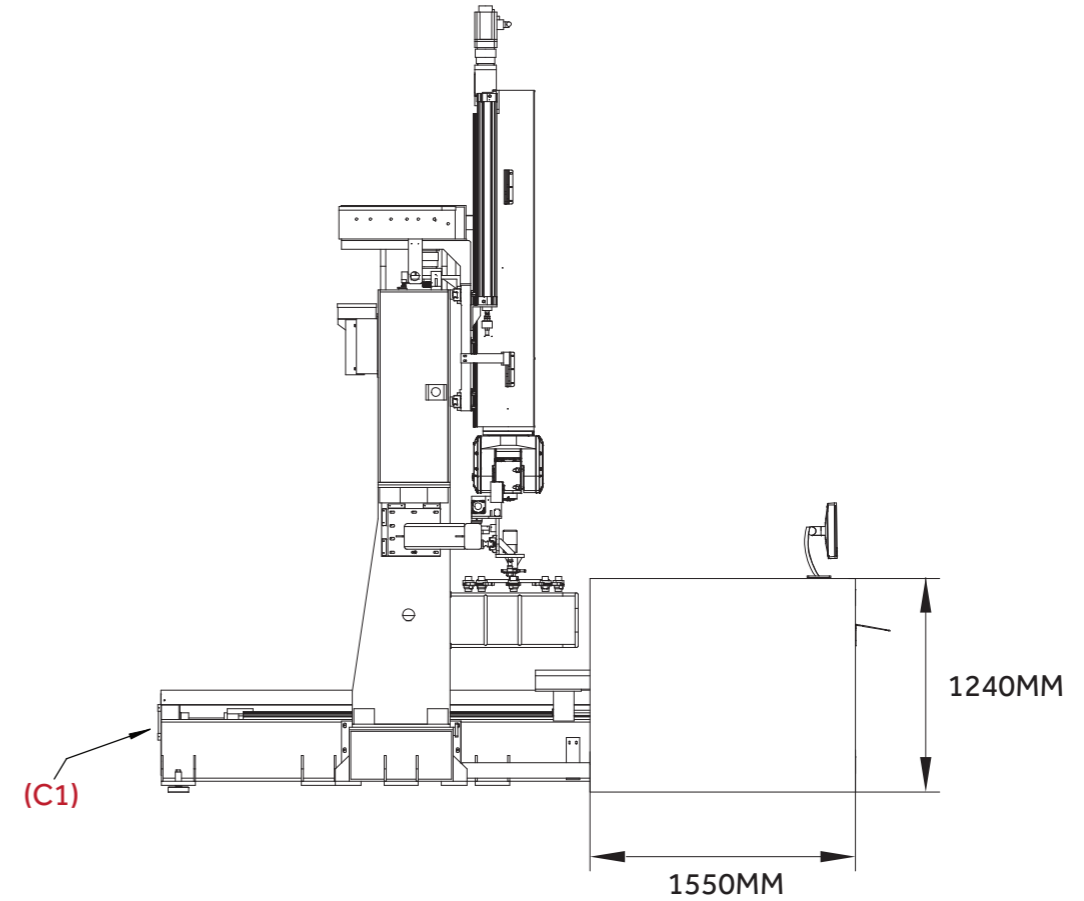
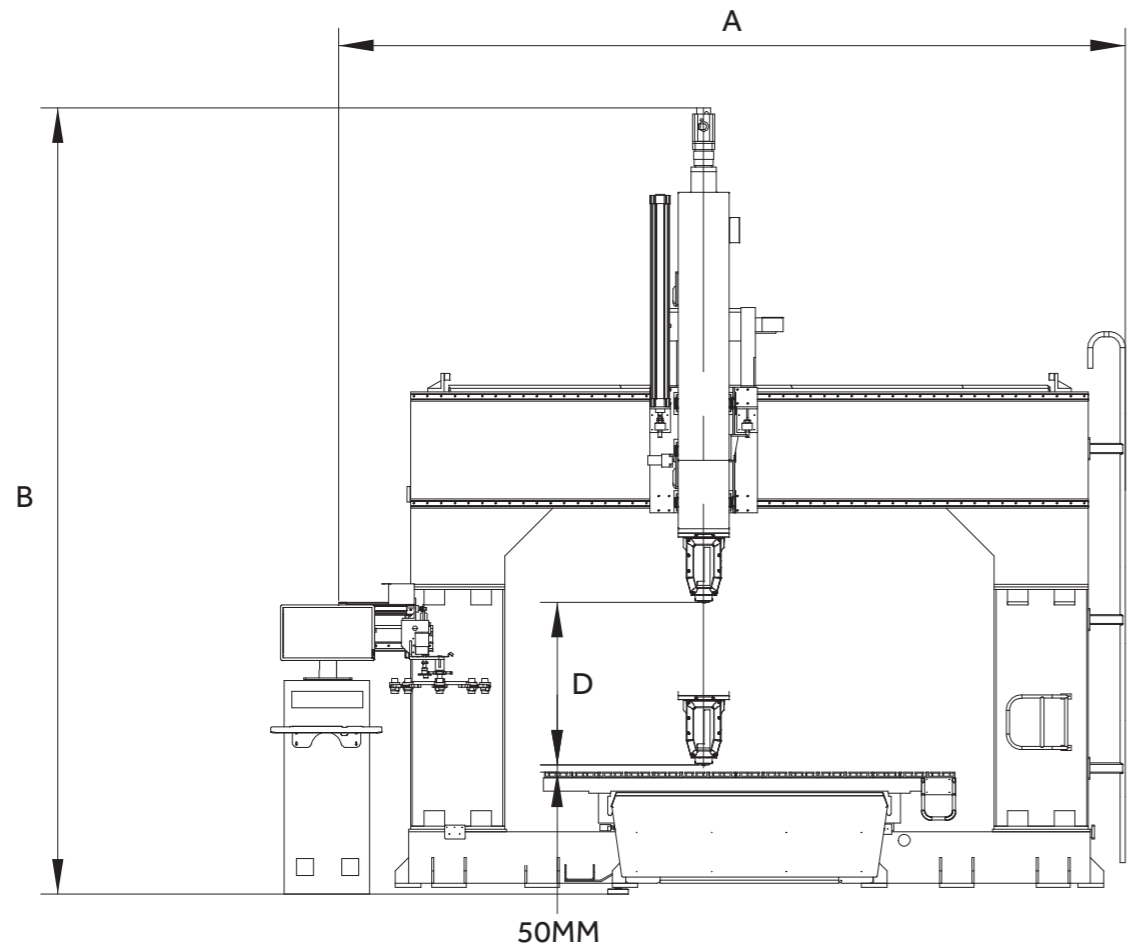


# MAXICAM M9 5 AXIS CNC ROUTER



**ELECTRICAL (E1)**  
1 X 5PIN C-FORM SOCKET 3-PHASE 32A MACHINE MAIN

**COMPRESSED AIR (C1)**  
1 X LEVER BALL VALVE WITH 12MM PUSH FIT CONNECTION  
CLEAN DRY AIR @ 8CFM 8BAR (CONSTANT)

**NB: FOR LONG TERM STABILITY A SUITABLE FLAT CONCRETE FLOOR OF 350MM IS REQUIRED**

**DIMS = mm, B & D show standard Z axis height and optional height**

MODEL	M9-1224	M9-1530	M9-2030
A	4750 mm	5600mm	5600mm
B	4750/5200 mm	4750/5200 mm	4750/5200 mm
C	4050mm	4634mm	5200 mm
D	950/1300mm	950/1300mm	950/1300mm
E	2400 mm	3040mm	3040 mm
F	1200 mm	1550mm	2050 mm
Net Weight	7500kgs	8300 kgs	8500kgs
Gross Weight	7800kgs	8500kgs	9000 kgs