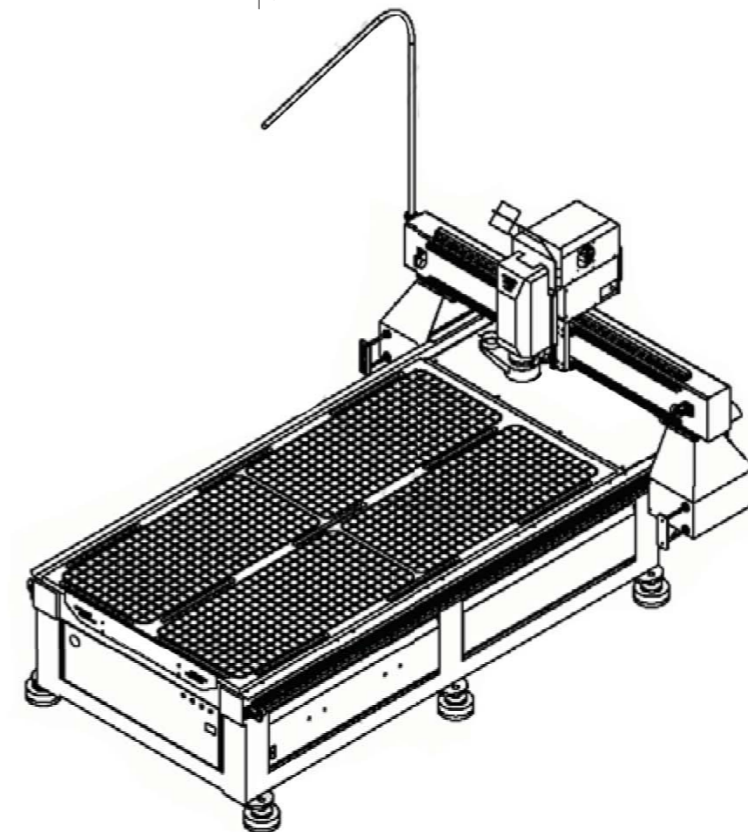
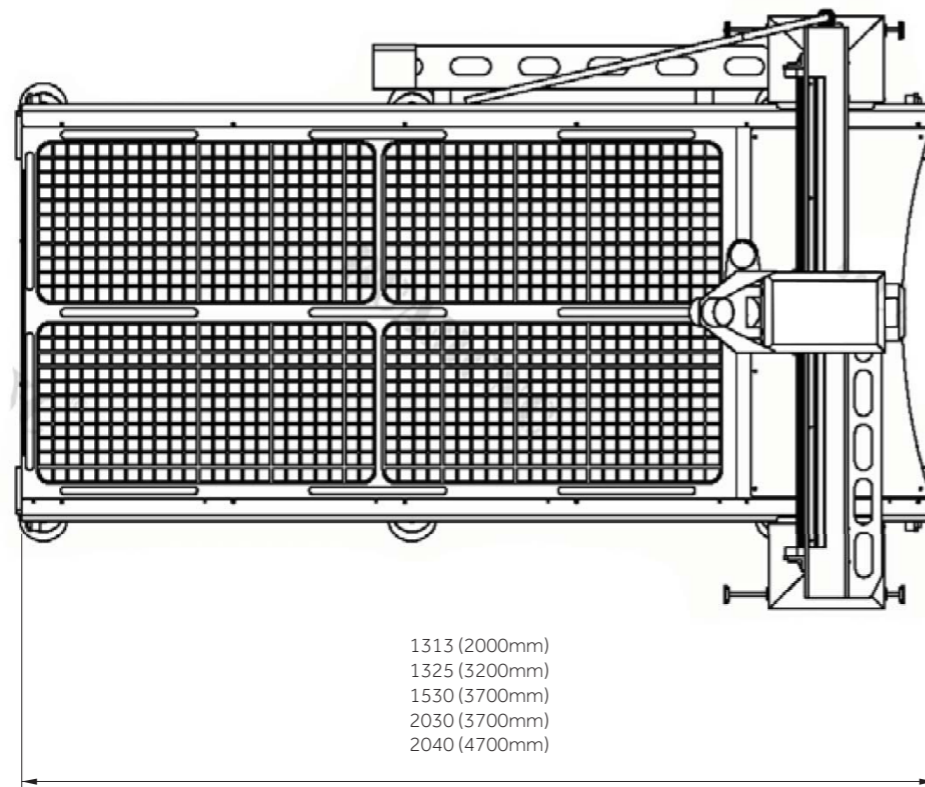
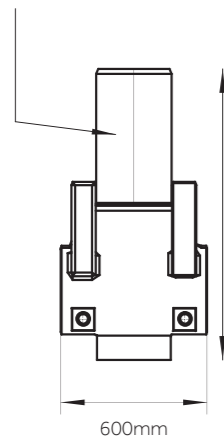


VACUUM PUMP



Electrical: 1 x 32A 3- Phase socket
Compressed Air: 7bar @ 4CFM
Dust Inlet Ø: 100mm
Units: mm